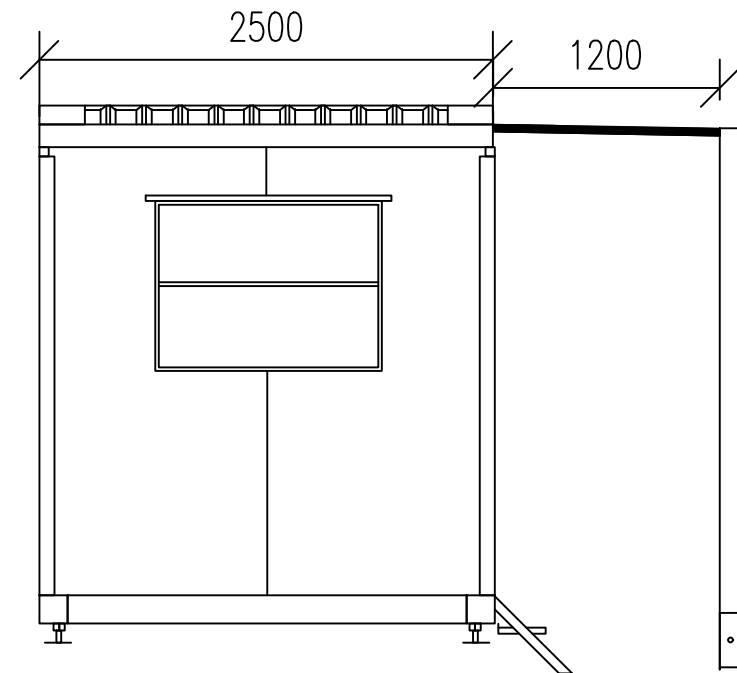
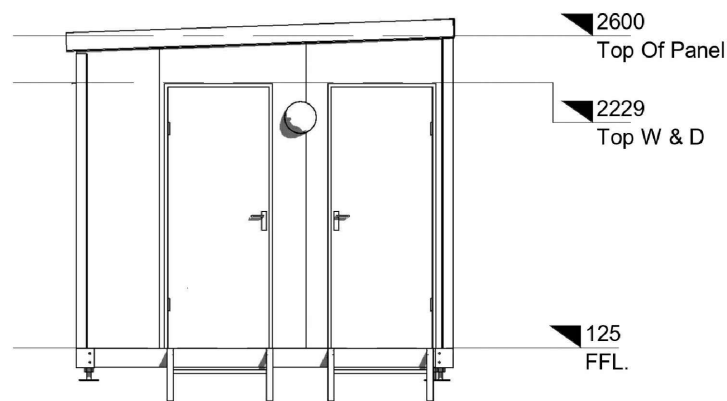


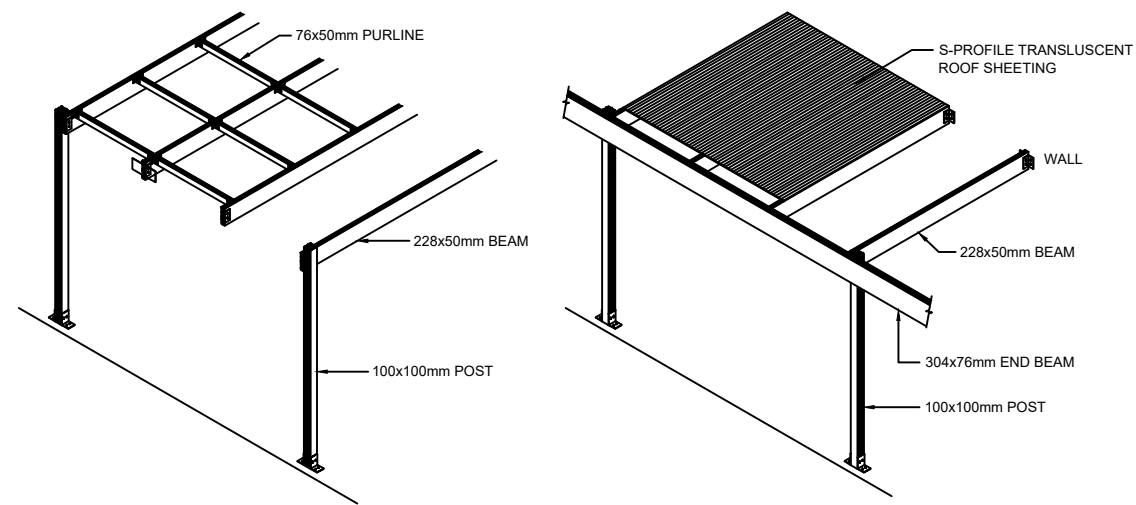
FLOOR PLAN



EAST ELEVATION



FRONT VIEW



GENERIC VERANDAH LAYOUT

No.	Date	Revision	Initial



**South African
NATIONAL PARKS**
TECHNICAL SERVICES

Project _____

GUARD HOUSE

Client _____

**MARAKELE
NATIONAL PARK**

Drawing _____

FLOOR PLAN LAYOUT

FOR TENDER PURPOSES

Scale NTS Drawn B Jacobus

Checked C Jonker Date 30/03/2026

Signed _____ Date _____

Drawing No. _____ Rev. 00

This drawing and design is copyright and must not be reproduced in part or in whole without prior written consent. Contractors must verify all dimensions on site before commencing work or preparing shop drawings.