

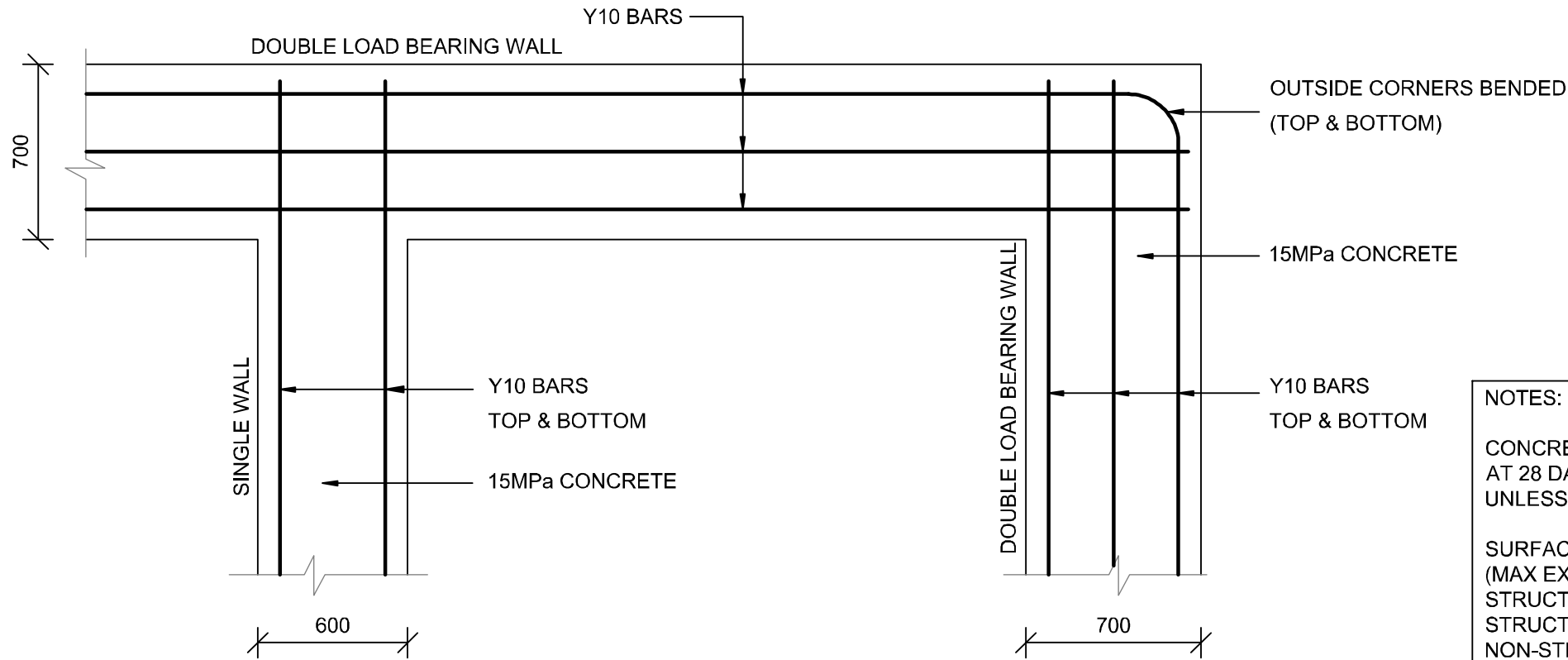
**NOTES:**

1. ALL CONSTRUCTION WORK TO BE DONE IN ACCORDANCE WITH SABS 1200 STANDARD SPECIFICATIONS.
2. DRAWINGS TO BE READ IN CONJUNCTION WITH PROJECT SPECIFICATIONS.
3. DRAWINGS TO BE CHECKED AND COMPARED AGAINST EXISTING SERVICES BEFORE CONSTRUCTION COMMENCES.
4. ALL DRAWINGS TO BE CONFIRMED ON SITE WITH ANY DISCREPENCIES BEING CALLED TO THE ATTENTION OF THE ENGINEER.
5. ALL LEVELS TO BE CONFIRMED BY THE ENGINEER BEFORE CONSTRUCTION CAN COMMENCE.
6. ALL FOUNDATION EXCAVATIONS TO BE INSPECTED AND APPROVED BY ENGINEER.
7. ALL STEEL REINFORCING TO BE INSPECTED AND APPROVED BY ENGINEER.

8. CURING OF CONCRETE TO BE DONE WATERING COMPLETED STRUCTURES AT REGULAR INTERVALS.
9. MINIMUM LAP LENGTHS OF STEEL BARS TO BE 60 x DIAMETER OF STEEL BAR(mm).
10. STRIPPING OF FORMWORK FOR SLABS TO TAKE PLACE AFTER 10 DAYS.
11. STRIPPING OF FORMWORK FOR BEAMS TO TAKE PLACE AFTER 14 DAYS.
12. STRIPPING OF PROPS FOR ALL STRUCTURAL WORK TO TAKE PLACE AFTER 28 DAYS.
13. THREE CONCRETE CUBES TO BE TAKEN WITH EACH BATCH OF CONCRETE FOR CONCRETE TESTING WITH CONCRETE STRENGTH RESULTS FOR THE ENGINEER.
14. FOUNDATION BEDS TO BE COMPACTED BEFORE POURING OF CONCRETE.

**Note:**

WHERE FOUNDATIONS ARE NOT REINFORCED, LAY BRICKWORK EVERY SECOND BRICKLAYER AND EVERY LAYER ABOVE WINDOWS AND DOOR LEVELS.



**PLAN**

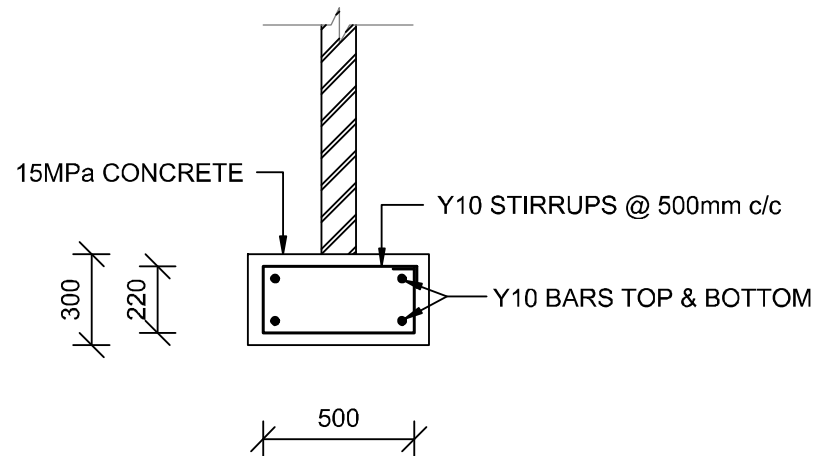
**NOTES:**

CONCRETE CUBE CRUSHING STRENGTH AT 28 DAYS - CONCRETE GRADES UNLESS SHOWN ON DRAWING

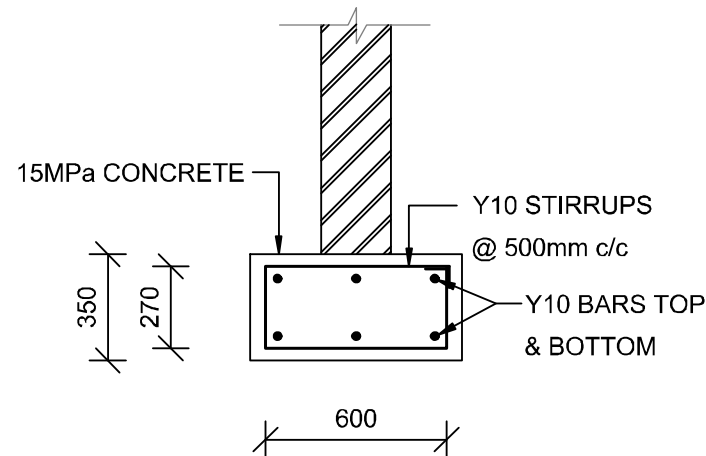
SURFACE BEDS	25MPa
(MAX EXTENDER	20%)
STRUCTURAL COLUMNS	30MPa
STRUCTURAL BEAMS	30MPa
NON-STRUCTURAL FOUNDATIONS	
	20MPa
STRUCTURAL FOUNDATIONS	20MPa
SUSPENDED SLABS	25MPa
MASS CONCRETE	10MPa
SOILCRETE	80Kg/cu.m.

**REINFORCED CONCRETE COVER SPECIFICATIONS:**

COLUMNS	30mm TO LINKS
BEAMS: TOP	20mm TO LINKS
BOTTOM	30mm TO LINKS
SIDE	25mm TO LINKS
BASES: TOP	75mm ALL ROUND
SLABS: TOP	30mm ALL ROUND



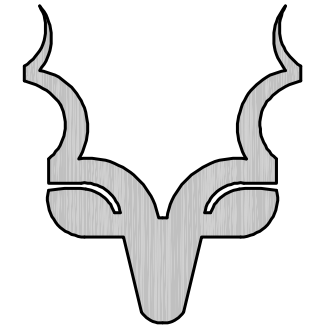
**BEAM TYPE 2**  
(SINGLE WALL)



**BEAM TYPE 1**  
(DOUBLE LOAD BEARING WALL)

**Revisions:**

No.	Date	Revision	Initial



**SANPARKS**  
TECHNICAL SERVICES - BELLVILLE

**PROJECT:**

**GENERIC DRAWINGS**  
SANParks Technical Services

**DRAWING:**

**REINFORCED CONCRETE FOUNDATION**

**MANAGER:**  
TECHNICAL SERVICES

SIGNED: [Signature] DATED: 13 July 2018

**PROJECT LEADER**

SIGNED: [Signature] DATED:

**CLIENT:**

SIGNED: [Signature] DATED:

drawn	<b>K VISSER</b>	drawing no.	<b>GEN/ST/001/01/1 00</b>	rev
date	<b>09/10/2013</b>	checked elec.		date
scale	<b>1:25(A3)</b>	checked tech.		date
file no.				