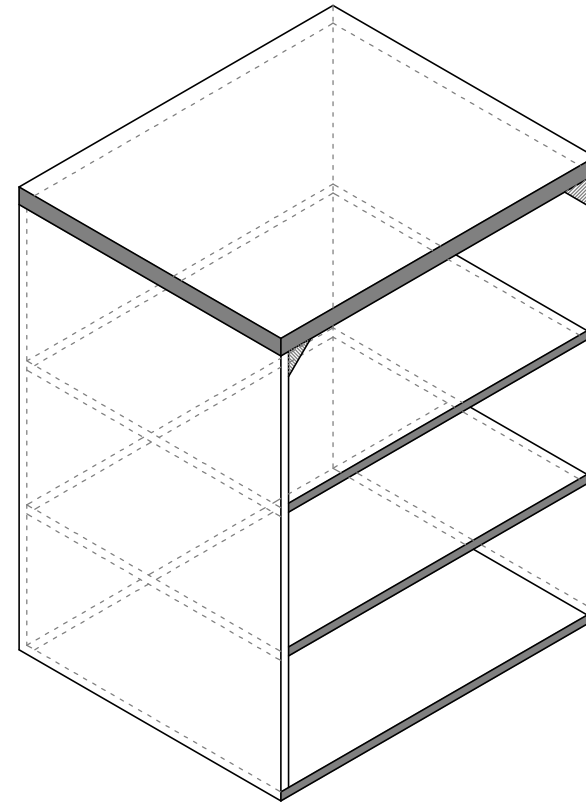
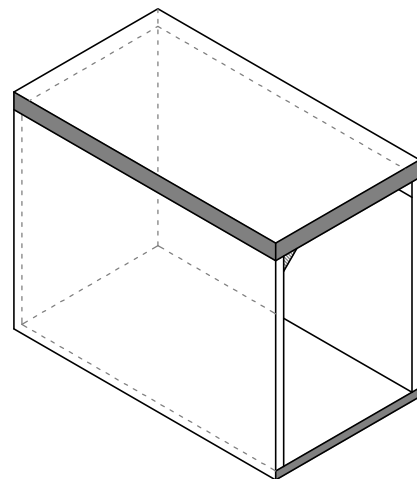


**CUPBOARD**



**KITCHEN TOP**



**SHELF 1**

**NOTE:**  
 ALL DIMENSIONS TO BE CHECKED ON SITE BY MANUFACTURER PRIOR TO MANUFACTURING AND INSTALLATION OF CUPBOARDS.  
 SHELF 1 TO FIT OPENING BETWEEN NEW CUPBOARD AND EXISTING DOOR.  
 SIDES, SHELVES AND FLOOR OF 18mm THICK SA PINE, CCA TREATED.  
 ALL TIMBER TO BE SEALED WITH 2 COATS RYSTIX TIMBACARE INTERNAL SEALER (CLEAR) PRIOR TO FIXING, 1 COAT AFTER FIXING AND THEN FINAL COAT.

**FOR DISCUSSION**

No.	Date	Revision	Initial



**South African  
 NATIONAL PARKS**  
 TECHNICAL SERVICES

Project

REST CAMP  
 EXISTING TENTS 1-4

Client

**CAMDEBOO  
 NATIONAL PARK**

Drawing

CUPBOARD AND SHELVES  
 DETAILS 2

Scale 1:15 (A3) Drawn K Visser

Checked C Jonker Date 05/12/2025

Signed \_\_\_\_\_ Date \_\_\_\_\_

Drawing No. CNP-7/4/5/3/4 Rev. 00

This drawing and design is copyright and must not be reproduced in part or in whole without prior written consent. Contractors must verify all dimensions on site before commencing work or preparing shop drawings.