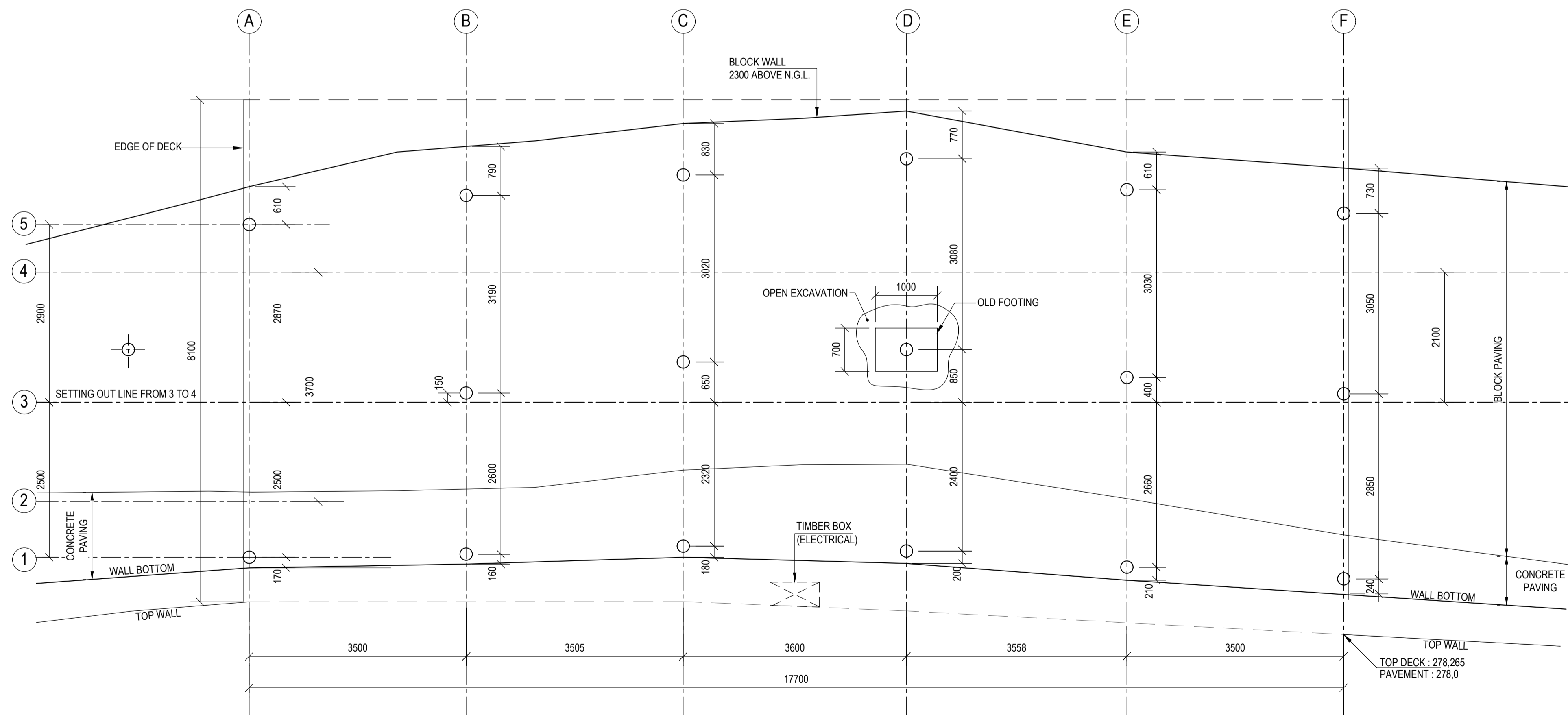
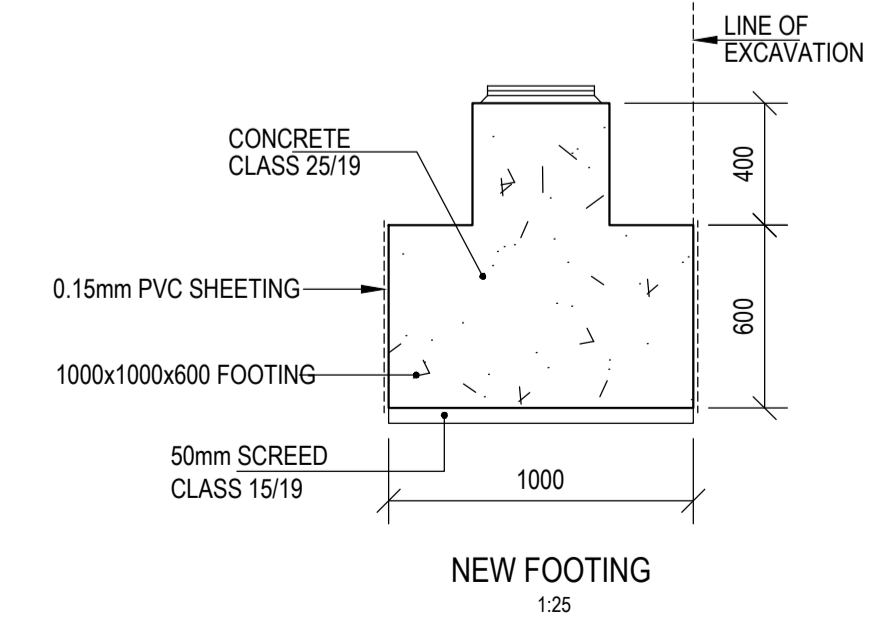
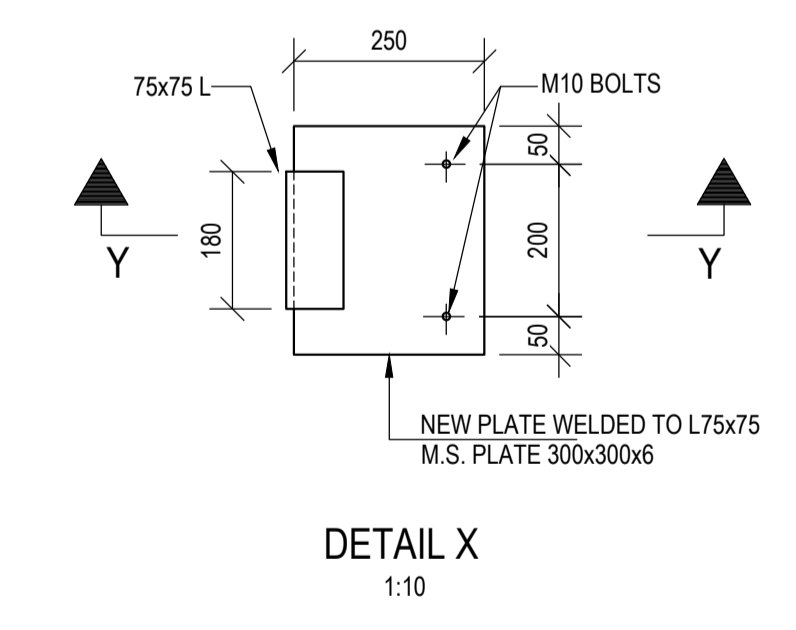
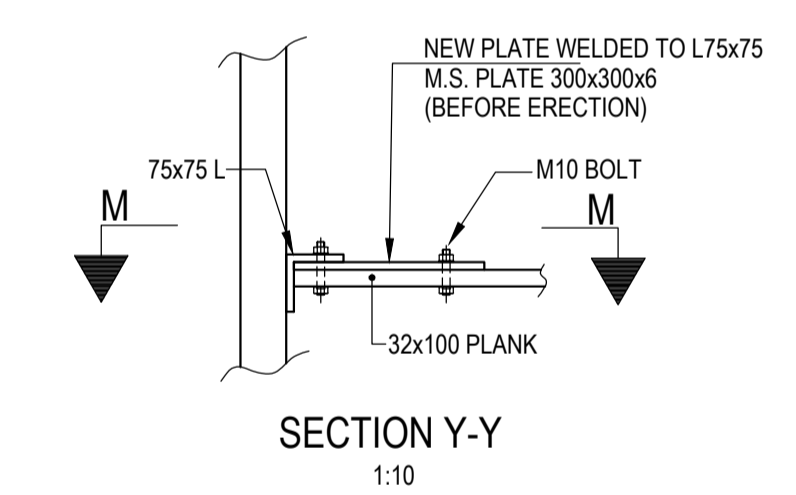
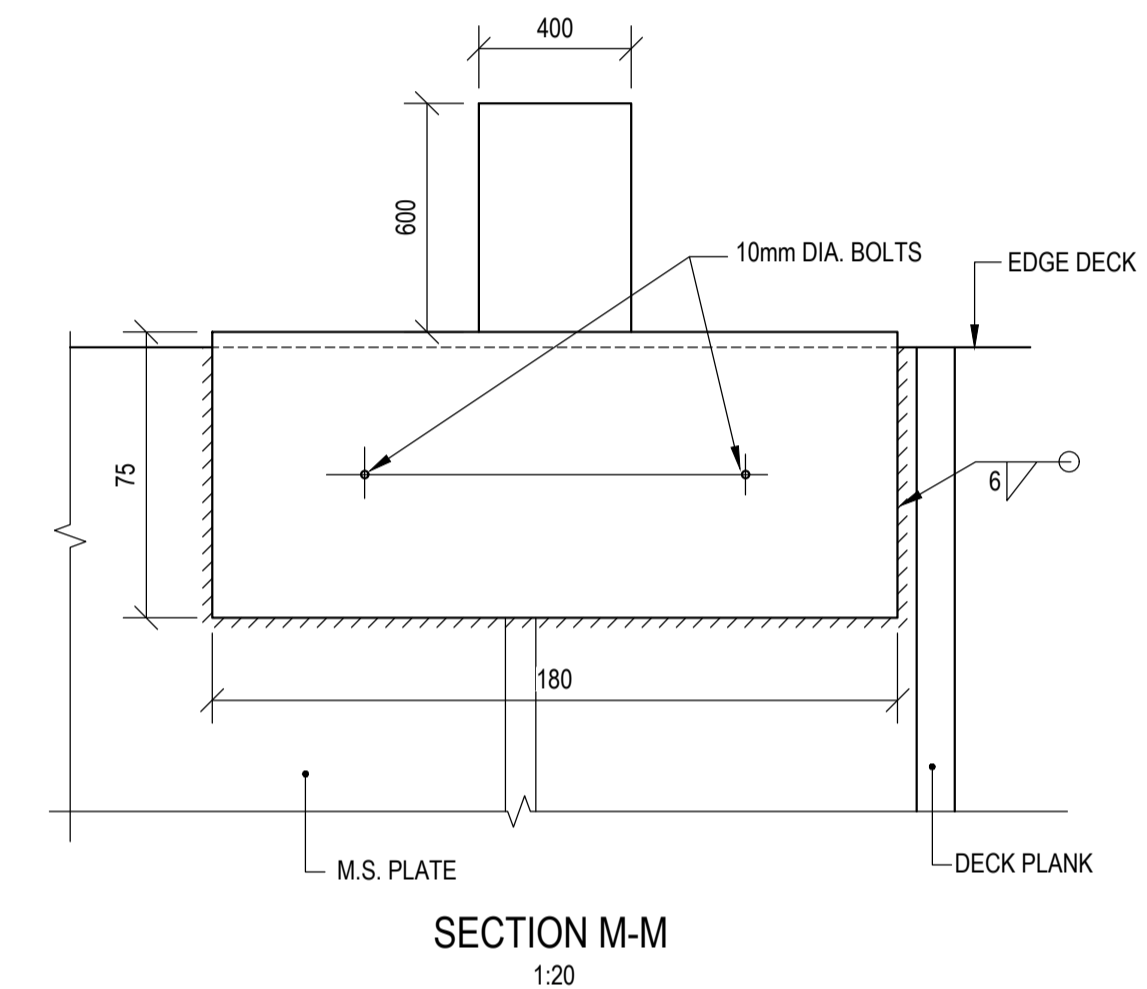
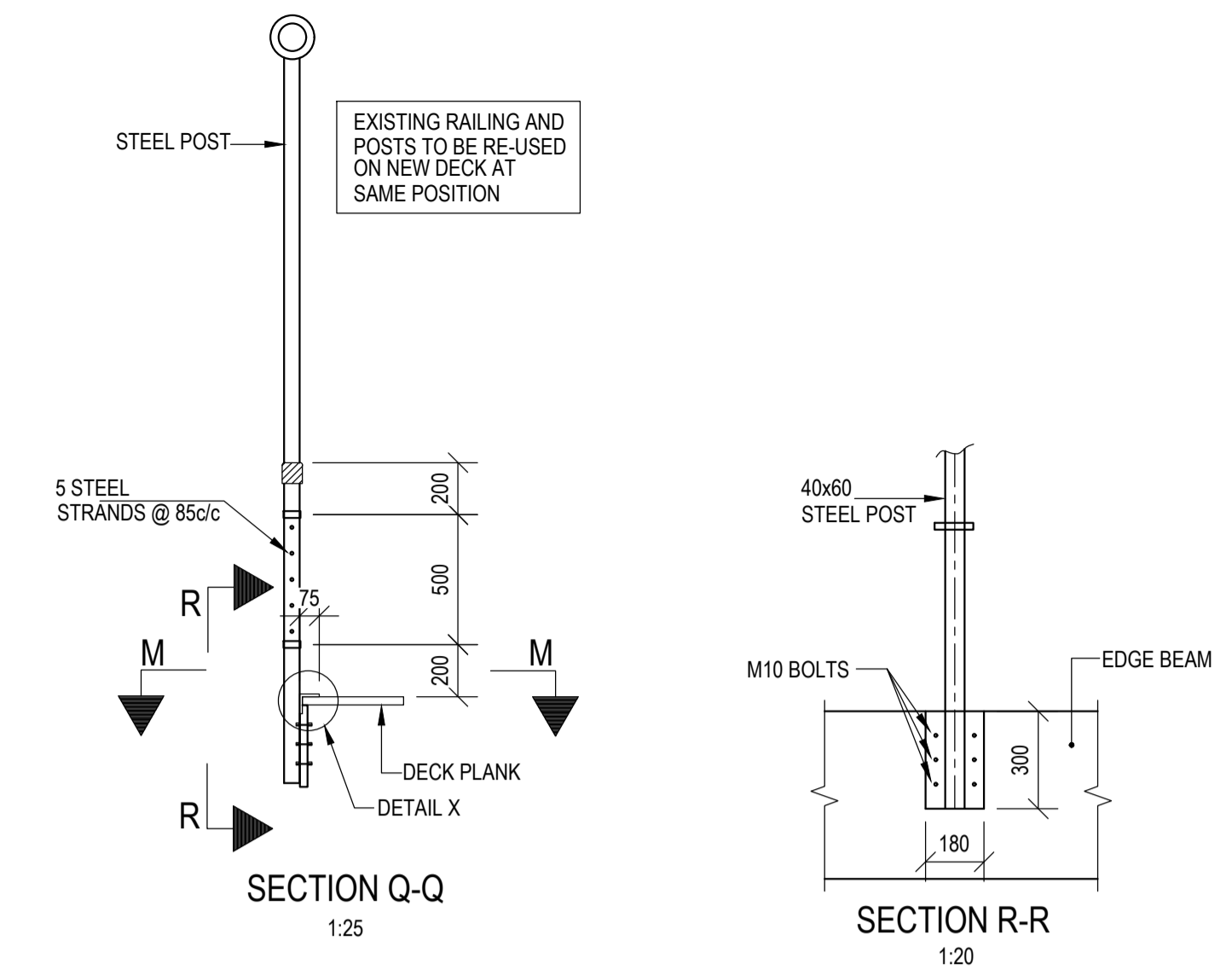


LAYOUT : EXISTING DECK  
1:50



LAYOUT : EXISTING SUBSTRUCTURE  
1:50



A	25/07/2022	FOR CONSTRUCTION	A.N.
No.	Date	Revision	Initial



Project  
**SKUKUZA RESTAURANT DECK UPGRADING PROJECT**  
Client  
**KRUGER NATIONAL PARK**

Drawing  
**DECK LAYOUT**  
Scale: AS SHOWN Drawn: D.VENTER, HEPKEMA  
Checked: A. NYAMBI Date: JULY 2022  
Drawing No. **KNP-21** Rev. **1**

**FOR CONSTRUCTION**

This drawing and design is copyright and must not be reproduced in part or in whole without prior written consent. Contractors must verify all dimensions on site before commencing work or preparing shop drawings.