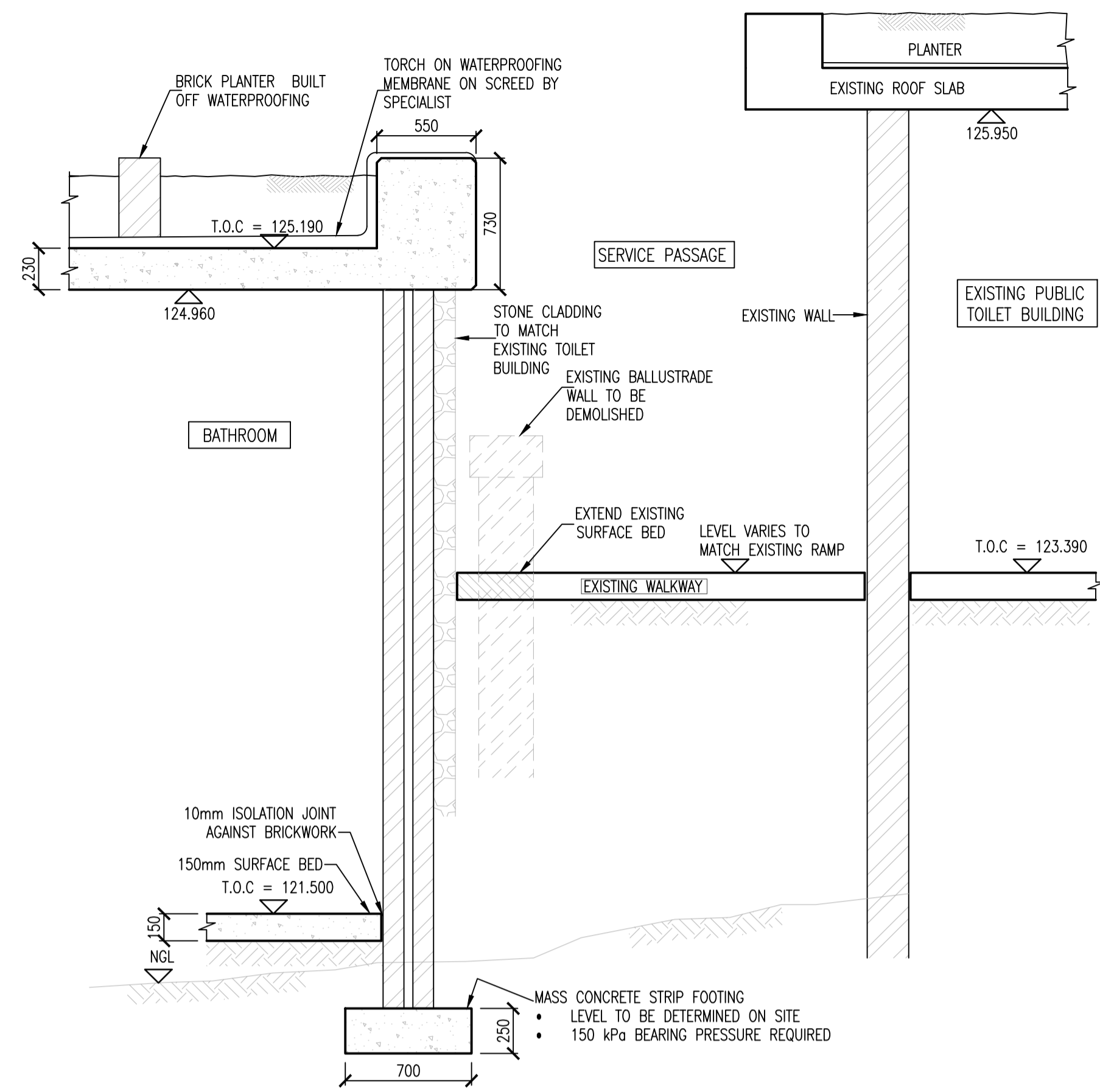
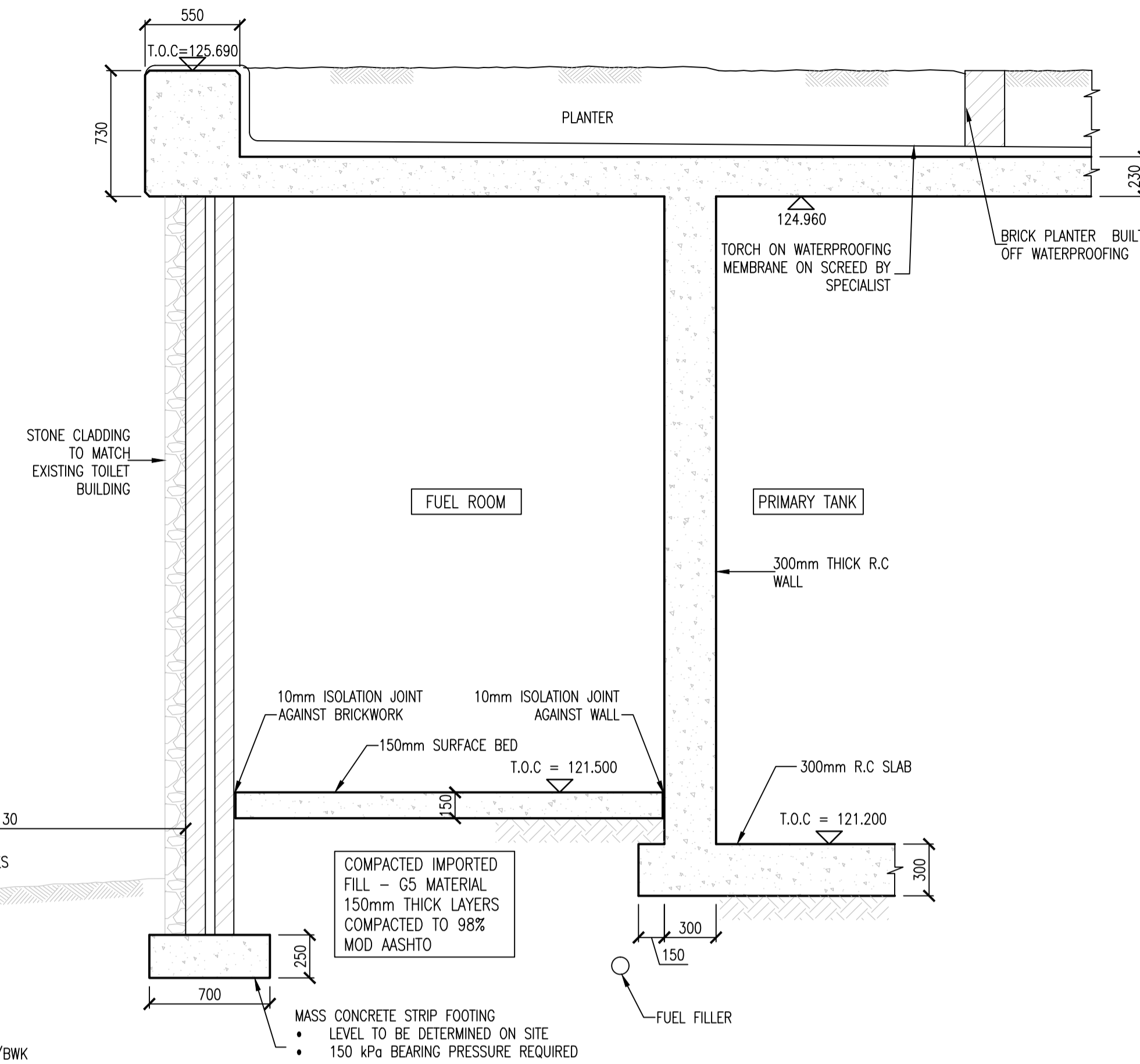


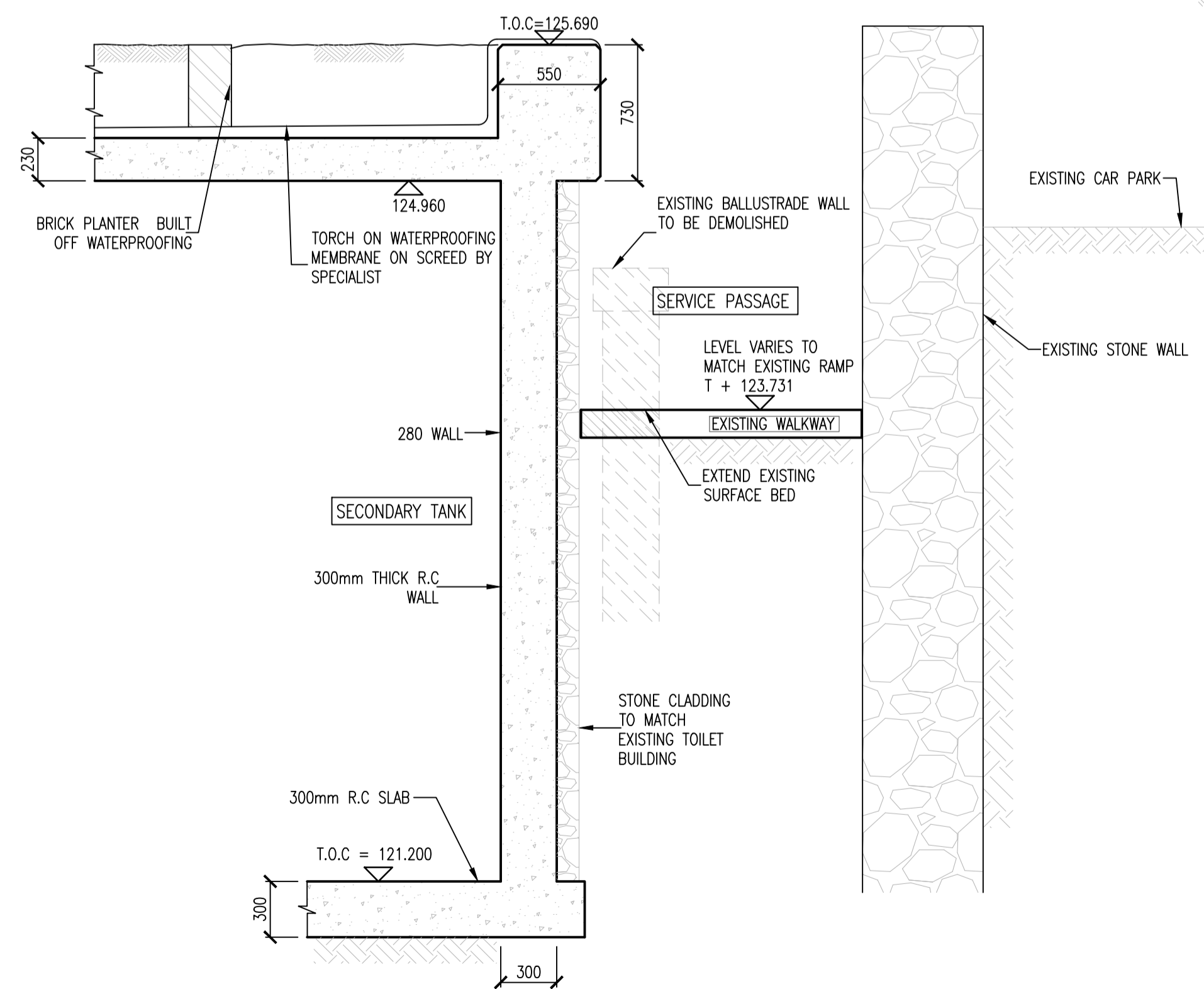
© COPYRIGHT  
 THIS DRAWING AND DESIGN ARE CONFIDENTIAL AND THE PROPERTY OF KANTEY & TEMPLER AND MAY NOT BE DISCLOSED TO A THIRD PARTY, COPIED/REPRODUCED IN WHOLE OR IN PART, WITHOUT THE WRITTEN PERMISSION OF KANTEY & TEMPLER.



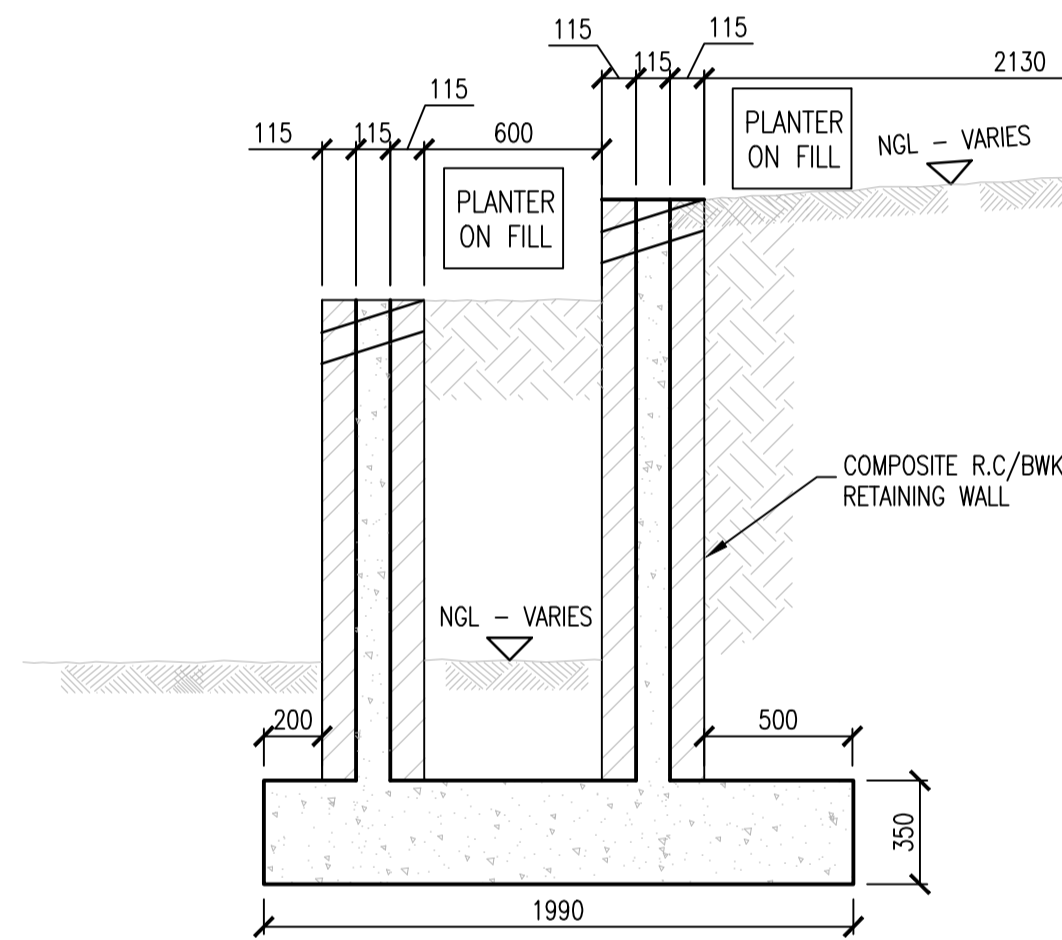
1:25 SECTION 1



1:25 SECTION 3



1:25 SECTION 2



REV	DESCRIPTION	DR.	APP.	DATE
A	ISSUED FOR INFORMATION	KD	CvG	27/05/2010

INITIALS	SIGN	DATE
DESIGNED	JvH	
DRAWN	KD	
CHECKED	--	
PROJECT ENG.	RM	
APPROVED	RM	

**K&T**  
**KANTEY & TEMPLER**  
 CONSULTING ENGINEERS  
*Engineering African Development*  
 P O BOX 3132 CAPE TOWN SOUTH AFRICA 8000 TEL +27 21 405 9600

CLIENT  
 **SANPARKS**

PROJECT  
**CAPE POINT**  
**SEWER TREATMENT PLANT**

TITLE  
**EXTENSION TO SOUTH TOILET**  
**BLOCK**  
**R.C STRUCTURAL DETAILS**  
**PLANTROOM - SECTIONS**

SCALE : AS SHOWN

DRAWING No. 13505T-202

REV  
 A