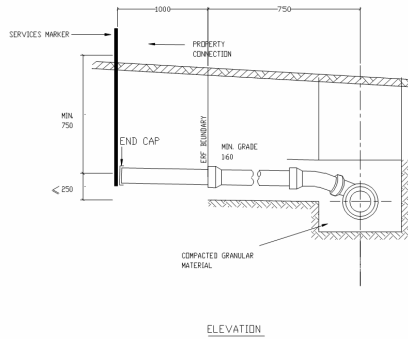


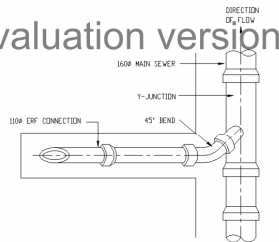
## 2.5 Plan Sewer Detail



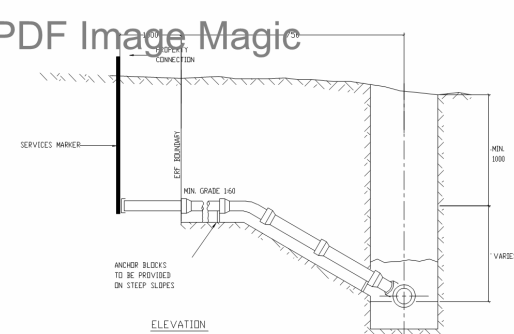
ELEVATION

PROPERTY CONNECTION UP TO 2000mm DEEP

## Evaluation version of PDF Image Magic

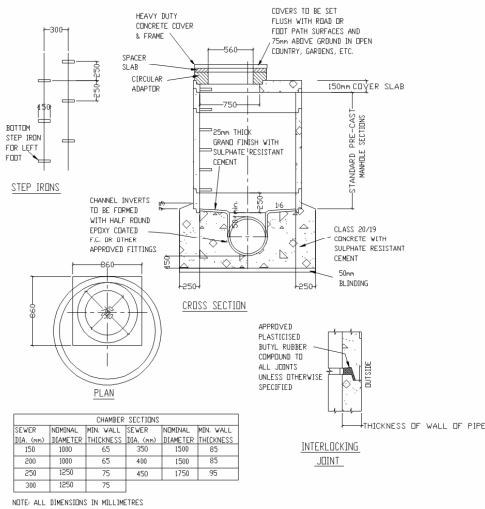


PLAN



ELEVATION

PROPERTY CONNECTION > 2000mm DEEP



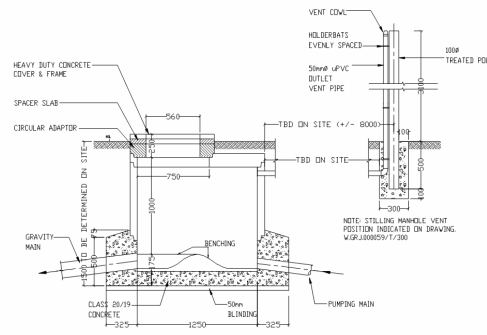
CROSS SECTION

PLAN

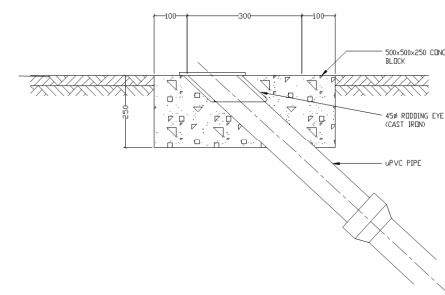
CHAMBER SECTIONS					
SEWER DIA. (mm)	INDICAL DIAMETER	MIN WALL THICKNESS	SEWER DIA. (mm)	INDICAL DIAMETER	MIN WALL THICKNESS
150	1000	65	200	1200	65
200	1000	65	400	1500	85
250	1250	75	450	1750	95
300	1250	75			

NOTE: ALL DIMENSIONS IN MILLIMETRES

PRECAST SEWER MANHOLES



STILLING MANHOLE



RODDING EYE DETAIL